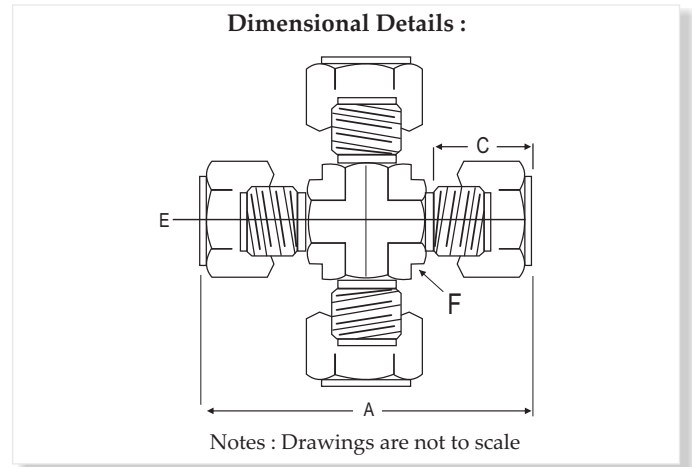


## UNION CROSS



### Dimension, in.

Tube OD	Part Number	A	C	E	F
1/8	K2CU2	1.76	0.50	0.09	3/8
1/4	K4CU4	2.12	0.60	0.19	1/2
5/16	K5CU5	2.34	0.64	0.25	5/8
3/8	K6CU6	2.40	0.66	0.28	5/8
1/2	K8CU8	2.84	0.90	0.41	13/16
3/4	K12CU12	3.14	0.96	0.62	1 <sup>1</sup> / <sub>16</sub>
1	K16CU16	3.86	1.23	0.88	1 <sup>3</sup> / <sub>8</sub>

### Dimension, mm.

Tube OD	Part Number	A	C	E	F
6	KCUM6	53.9	15.3	4.8	1/2
8	KCUM8	59.7	16.2	6.4	5/8
10	KCUM10	67.0	17.2	7.9	13/16
12	KCUM12	72.0	22.8	9.5	13/16
16	KCUM16	74.0	24.4	12.7	15/16
18	KCUM18	76.6	24.4	15.1	1 <sup>1</sup> / <sub>16</sub>
20	KCUM20	89.3	26.0	15.9	1 <sup>3</sup> / <sub>8</sub>
25	KCUM25	98.3	31.3	21.8	1 <sup>3</sup> / <sub>8</sub>

Flow Serve

### Note:

- A and C dimensions are typical finger-tight

Dimensions and specifications shown are approximate, may vary from time to time.

*Ventil tube fittings are ordered by part numbers as listed in this catalogue and other sizes will be available on request.*